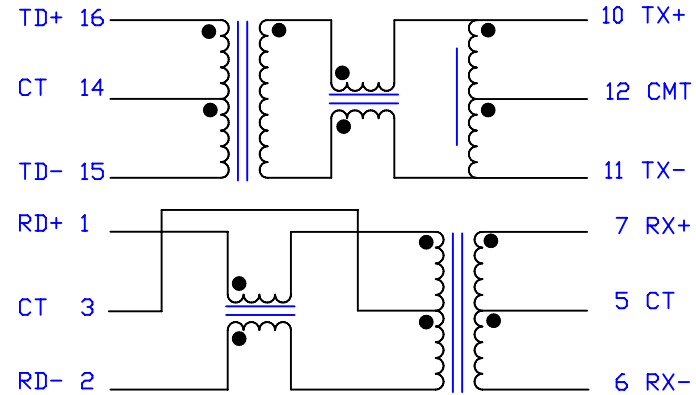


TOLERANCE : ± 0.25



SPECIFICATIONS:

1. INSERTION LOSS(1MHZ-125MHZ) : -1.1dB MAX.
2. RETURN LOSS(100KHZ-60MHZ) : -18dB TYP.(TX)/-17dB TYP.(RX)
(60-100 MHZ) : -13dB TYP.(Tx)/-15dB TYP.(Rx)
3. CMRR : (100KHZ-60MHZ) -42dB MIN.(Tx)/-40dB MIN.(Rx)
(60MHZ-100MHZ) -40dB MIN.(Tx)/-35dB MIN.(Rx)
4. CROSSTALK : (100KHZ-60MHZ) -40dB MIN.
(60MHZ-100MHZ) -38dB MIN.
5. RISE TIME (10-90%) : 2.5ns TYP.
6. HI-PDT TEST : 1500 Vrms(INPUT/OUTPUT)

C	TOLERANCE ± 0.25	10/15/2001	DOLLY	AL	SUEDY	Atech [®] Atech Technology Co., Ltd. TEL:(02)2794-6667 FAX:(02)2794-8004	TITLE FILTER MODULES 10/100BASE-TX
B	DIMENSION	08/20/2001	DOLLY	AL	SUEDY		DWG. NO. ATF004
A	PINS	03/03/00	PAIR		SUEDY		
	RELEASE		PAIR		SUEDY	UNITS: M/M	SAFETY
NO:	DESCRIPTION	DATE	BY	CHK	APPD	DATE	SHEET 1 OF 1
REVISIONS							DRAW <i>Pair</i>